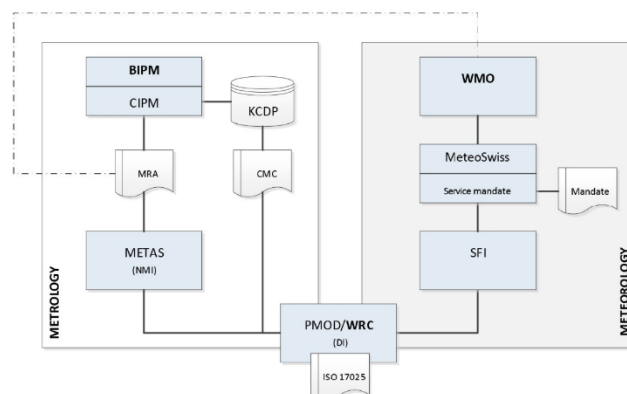


Quality Management Self-Declaration

The Physikalisch-Meteorologisches Observatorium Davos und World Radiation Center (PMOD/WRC) belongs to the Schweizerisches Forschungsinstitut für Hochgebirgsklima und Medizin (SFI) Foundation in Davos. Within its mandate, the WRC ensures the homogeneity of global solar irradiance measurements.

Switzerland's participation in the Comité International des Poids et Mesures Mutual Recognition Arrangement ([CIPM-MRA](#)) forms the basis for the Institute's involvement in the world of metrology. In Switzerland, compliance with this "arrangement" is the responsibility of the National Metrology Institute ([METAS](#)), where PMOD/WRC is listed and integrated as a "Designated Institute".

On 1 April 2010, the World Meteorological Organization (WMO) also signed the CIPM-MRA. This created an additional involvement of PMOD/WRC into the system of the European Association of National Metrology Institutes and Bureau International des Poids et Mesures (EURAMET, BIPM). The PMOD/WRC thus also functions within the WMO as a "Designated Institute".



The PMOD/WRC operates a quality management system that fully meets the legal and general requirements for the competence of testing and calibration laboratories of the ISO/IEC standard 17025.

These requirements are constantly checked using the elements required in the standard such as audits, risk assessments and management reviews and are part of the process for maintaining the high quality and continuous improvement of the PMOD/WRC services.

With comparison measurements and a management system, regularly checked by EURAMET according to the ISO/IEC 17025 standard, PMOD/WRC provides its metrological expertise as part of the "Arrangement de reconnaissance mutuel des étalons nationaux de mesure et des Certificats d'étalonnage et de mesurage émis par les laboratoires nationaux de métrologie" (CIPM MRA) (<http://www.bipm.org/en/cipm-mra/>). The mutual recognition of national standards and corresponding calibration certificates is therefore made possible with this agreement.

The PMOD/WRC calibration and measurement capabilities (CMC), tested according to the CIPM MRA procedure, are listed in the BIPM database (<http://kcdb.bipm.org/AppendixC/default.asp>), and marked with the corresponding logo in its calibration certificates.

Ricco Soder
QMS Manager

Prof. Louise Harra
PMOD/WRC Director